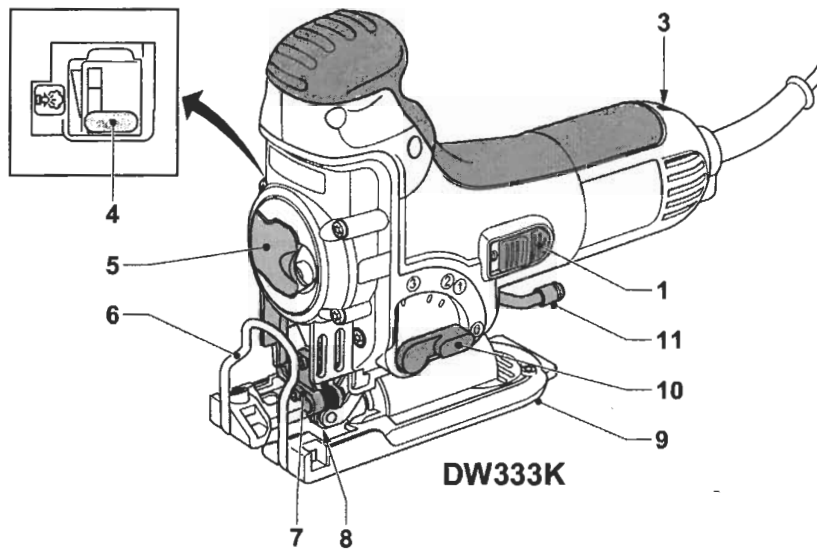
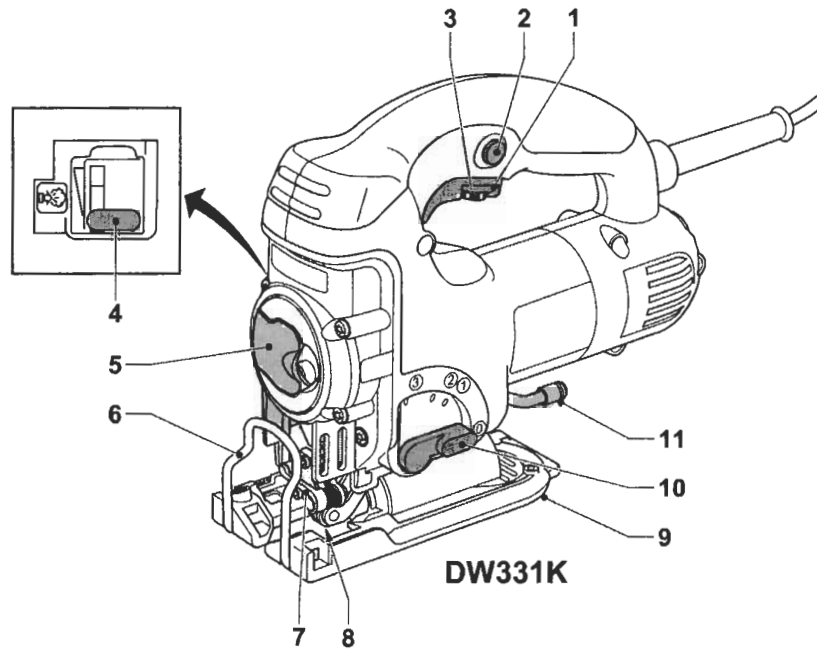


33420 +
49652

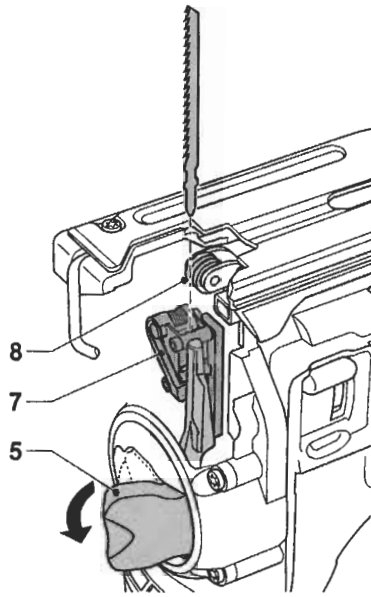
DEWALT®

DW331K
DW333K

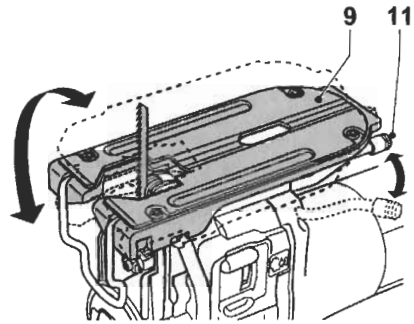
1



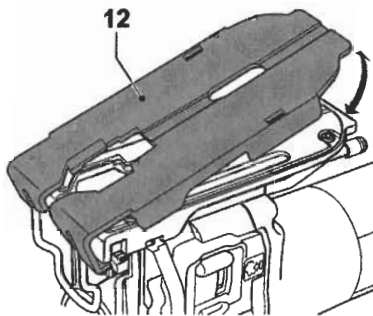
A



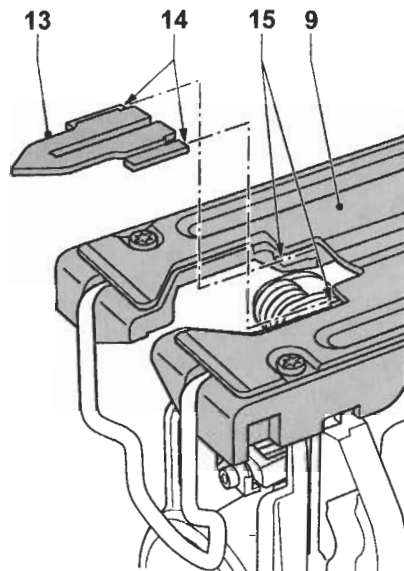
B



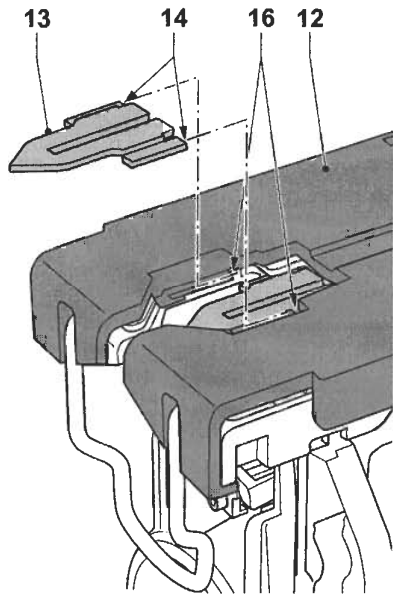
C



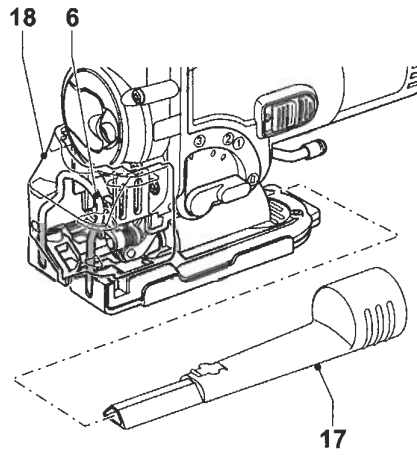
D



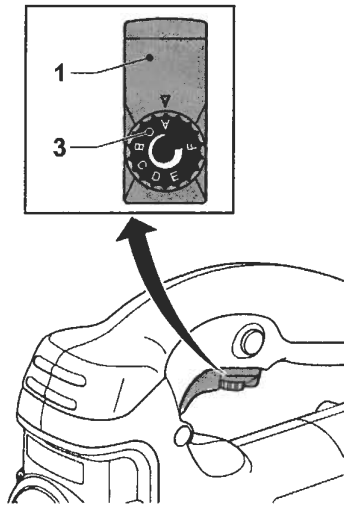
E1



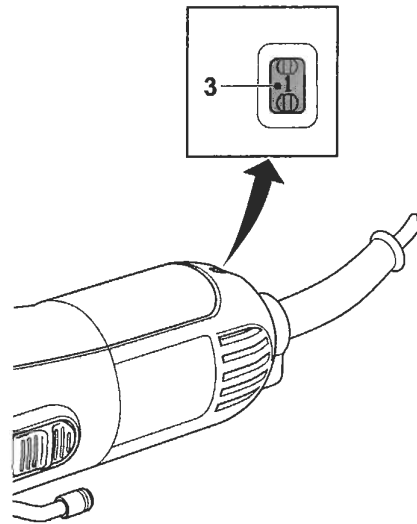
E2



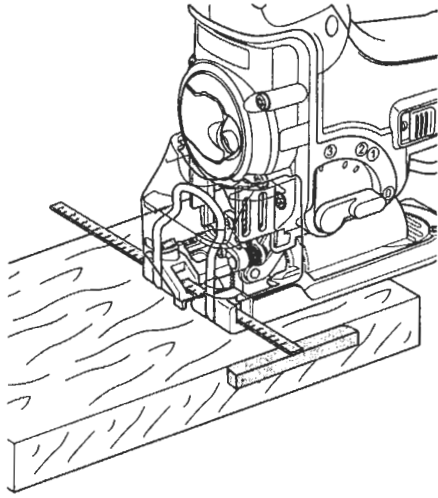
F



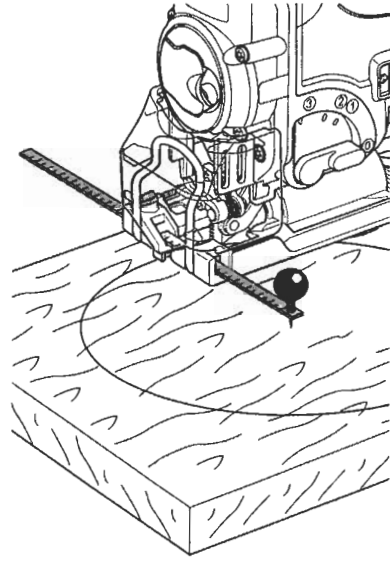
G1



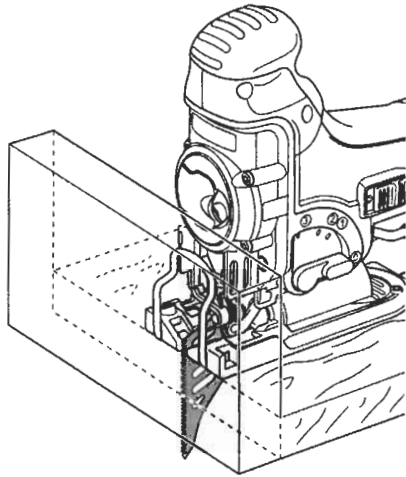
G2



H



I



J

6

ENGLISH

JIGSAW DW331K/DW333K

Congratulations!

You have chosen a DeWALT tool. Years of experience, thorough product development and innovation make DeWALT one of the most reliable partners for professional power tool users.

Technical data

	DW331K	DW333K
Voltage	V 230	230
(U.K. & Ireland only)	V 230/115	230/115
Power input	W 701	701
Power output	W 425	425
No-load speed	min ⁻¹ 0 - 3,100	500 - 3,100
Stroke length	mm 26	26
Cutting depth in:		
- wood	mm 130	130
- aluminium	mm 30	30
- steel	mm 12	12
- stainless steel alloy	mm 4.5	4.5
Bevel angle adjustment (l/r)	0 - 45°	0 - 45°
Weight	kg 2.6	2.6

Fuses:

Europe	230 V tools	10 Amperes, mains
U.K. & Ireland	230 V tools	13 Amperes, in plugs

The following symbols are used throughout this manual:



Denotes risk of personal injury, loss of life or damage to the tool in case of non-observance of the instructions in this manual.



Denotes risk of electric shock.



Fire hazard.

EC-Declaration of conformity



DW331K/DW333K

DeWALT declares that these power tools have been designed in compliance with: 98/37/EEC, 89/336/EEC, 73/23/EEC, 86/188/EEC, EN 60745, EN 55014-2, EN 55014-1, EN 61000-3-2 & EN 61000-3-3.

For more information, please contact DeWALT at the address below, or refer to the back of the manual.

	DW331K	DW333K
L _{pa} (sound pressure)	dB(A) 86.4	86.5
L _{wa} (acoustic power)	dB(A) 97.4	97.5
Weighted RMS acceleration value	m/s ² 5.5	5.3
K _{pa} (sound pressure uncertainty)	dB(A)	2.8
K _{wa} (acoustic power uncertainty)	dB(A)	2.8

Director Engineering and Product Development
John Howson

DeWALT, Green Lane, Spennymoor,
Co. Durham DL16 6JG England

General safety rules

Warning! Read all instructions. Failure to follow all instructions listed below may result in electric shock, fire and/or serious injury. The term „power tool“ in all of the warnings listed below refers to your mains operated (corded) power tool or battery operated (cordless) power tool. **SAVE THESE INSTRUCTIONS.**

1 Work area

- a **Keep work area clean and well lit.**
Cluttered and dark areas invite accidents.
- b **Do not operate power tools in explosive atmospheres, such as in the presence of flammable liquids, gases or dust.** Power tools create sparks which may ignite the dust or fumes.
- c **Keep children and bystanders away while operating a power tool.** Distractions can cause you to lose control.

2 Electrical safety

- a **Power tool plugs must match the outlet. Never modify the plug in any way. Do not use any adapter plugs with earthed (grounded) power tools.** Unmodified plugs and matching outlets will reduce risk of electric shock.
- b **Avoid body contact with earthed or grounded surfaces such as pipes, radiators, ranges and refrigerators.** There is an increased risk of electric shock if your body is earthed or grounded.
- c **Do not expose power tools to rain or wet conditions.** Water entering a power tool will increase the risk of electric shock.
- d **Do not abuse the cord. Never use the cord for carrying, pulling or unplugging the power tool. Keep cord away from heat, oil, sharp edges or moving parts.** Damaged or entangled cords increase the risk of electric shock.
- e **When operating a power tool outdoors, use an extension cord suitable for outdoor use.** Use of a cord suitable for outdoor use reduces the risk of electric shock.

3 Personal safety

- a **Stay alert, watch what you are doing and use common sense when operating a power tool. Do not use a power tool while you are tired or under the influence of drugs, alcohol or medication.**

A moment of inattention while operating power tools may result in serious personal injury.

- b **Use safety equipment. Always wear eye protection.** Safety equipment such as dust mask, non-skid safety shoes, hard hat, or hearing protection used for appropriate conditions will reduce personal injuries.
- c **Avoid accidental starting. Ensure the switch is in the off position before plugging in.**
Carrying power tools with your finger on the switch or plugging in power tools that have the switch on invites accidents.
- d **Remove any adjusting key or wrench before turning the power tool on.** A wrench or a key left attached to a rotating part of the power tool may result in personal injury.
- e **Do not overreach. Keep proper footing and balance at all times.** This enables better control of the power tool in unexpected situations.
- f **Dress properly. Do not wear loose clothing or jewellery. Keep your hair, clothing and gloves away from moving parts.** Loose clothes, jewellery or long hair can be caught in moving parts.
- g **If devices are provided for the connection of dust extraction and collection facilities, ensure these are connected and properly used.** Use of these devices can reduce dust related hazards.

4 Power tool use and care

- a **Do not force the power tool. Use the correct power tool for your application.** The correct power tool will do the job better and safer at the rate for which it was designed.
- b **Do not use the power tool if the switch does not turn it on and off.** Any power tool that cannot be controlled with the switch is dangerous and must be repaired.
- c **Disconnect the plug from the power source before making any adjustments, changing accessories, or storing power tools.**
Such preventive safety measures reduce the risk of starting the power tool accidentally.
- d **Store idle power tools out of the reach of children and do not allow persons unfamiliar with the power tool or these instructions to operate the power tool.** Power tools are dangerous in the hands of untrained users.

ENGLISH

- e **Maintain power tools. Check for misalignment or binding of moving parts, breakage of parts and any other condition that may affect the power tools operation. If damaged, have the power tool repaired before use.**

Many accidents are caused by poorly maintained power tools.

- f **Keep cutting tools sharp and clean.** Properly maintained cutting tools with sharp cutting edges are less likely to bind and are easier to control.

- g **Use the power tool, accessories and tool bits etc., in accordance with these instructions and in the manner intended for the particular type of power tool, taking into account the working conditions and the work to be performed.** Use of the power tool for operations different from those intended could result in a hazardous situation.

5 Service

- a **Have your power tool serviced by a qualified repair person using only identical replacement parts.** This will ensure that the safety of the power tool is maintained.

Package contents

The package contains:

- 1 Jigsaw
 - 1 Saw blade set
 - 1 Anti-splinter shoe insert
 - 1 Anti-scratch shoe cover
 - 1 Dust extraction shroud
 - 1 Dust extraction adapter
 - 1 Kitbox
 - 1 Instruction manual
 - 1 Exploded drawing
- Check for damage to the tool, parts or accessories which may have occurred during transport.
 - Take the time to thoroughly read and understand this manual prior to operation.

Description (fig. A)

Your jigsaw DW331K/DW333K has been designed for professional cutting of wood, steel, aluminium, plastic and ceramic material.

- 1 On/off switch
- 2 Lock-on button

- 3 Speed control dial
- 4 Sawdust blower control
- 5 Blade latch
- 6 Finger guard
- 7 Blade holder
- 8 Guide roller
- 9 Shoe
- 10 Pendulum stroke selector
- 11 Shoe lever

Electrical safety

The electric motor has been designed for one voltage only. Always check that the power supply corresponds to the voltage on the rating plate.



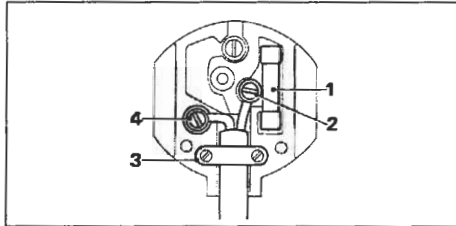
Your DeWALT tool is double insulated in accordance with EN 60745; therefore no earth wire is required.



115 V units have to be operated via a failsafe isolating transformer with an earth screen between the primary and secondary winding.

Mains plug replacement (U.K. & Ireland only)

- Should your mains plug need replacing and you are competent to do this, proceed as instructed below. If you are in doubt, contact an authorized DeWALT repair agent or a qualified electrician.
- Disconnect the plug from the supply.
- Cut off the plug and dispose of it safely; a plug with bared copper conductors is dangerous if engaged in a live socket outlet.
- Only fit 13 Amperes BS1363A approved plugs fitted with the correctly rated fuse (1).
- The cable wire colours, or a letter, will be marked at the connection points of most good quality plugs. Attach the wires to their respective points in the plug (see below). Brown is for Live (L) (2) and Blue is for Neutral (N) (4).
- Before replacing the top cover of the mains plug ensure that the cable restraint (3) is holding the outer sheath of the cable firmly and that the two leads are correctly fixed at the terminal screws.



Never use a light socket.
Never connect the live (L) or neutral (N) wires to the earth pin marked E or \perp .

For 115 V units with a power rating exceeding 1500 W, we recommend to fit a plug to BS4343 standard.

Using an extension cable

If an extension cable is required, use an approved extension cable suitable for the power input of this tool (see technical data). The minimum conductor size is 1.5 mm².

When using a cable reel, always unwind the cable completely.

Also refer to the table below.

Conductor size (mm ²)	Cable rating (Amperes)
0.75	6
1.00	10
1.50	15
2.50	20
4.00	25

Voltage	Amperes	Cable rating (Amperes)	Cable length (m)					
			7.5	15	25	30	45	60
115	0 - 2.0	6	6	6	6	6	10	
	2.1 - 3.4	6	6	6	6	15	15	
	3.5 - 5.0	6	6	10	15	20	20	
	5.1 - 7.0	10	10	15	20	20	25	
	7.1 - 12.0	15	15	20	25	25	-	
	12.1 - 20.0	20	20	25	-	-	-	
230	0 - 2.0	6	6	6	6	6	6	
	2.1 - 3.4	6	6	6	6	6	6	
	3.5 - 5.0	6	6	6	6	10	15	
	5.1 - 7.0	10	10	10	10	15	15	
	7.1 - 12.0	15	15	15	15	20	20	
	12.1 - 20.0	20	20	20	20	25	-	

Assembly and adjustment



Prior to assembly and adjustment always unplug the tool.

Fitting and removing a saw blade (fig. B)

The tool-free blade exchange system ensures quick and easy changing of saw blades.

- Open the blade holder (7) by fully retracting the blade latch (5).
- Insert the saw blade into the blade holder (7) guiding the back of the blade into the groove of the guide roller (8).
- Release the blade latch (5).
- To remove the saw blade, fully retract the blade latch and pull the blade out of the holder.

Saw blades

Blade type	Applications
Fine-toothed cutting blade	for smooth straight cuts
Coarse-toothed cutting blade	for fast straight cuts
Metal cutting blade	for ferrous and non-ferrous metals
Flush cutting blade*	for finishing off cuts up to a wall or edge.

* Not available in all countries.

A wide variety of dedicated saw blades is available as an option.



Always select your saw blade with great care.

Setting the bevel angle (fig. C)

The adjustable shoe (9) allows cutting of LH and RH bevel angles up to 45°. The bevel scale has preset positions at 0°, 15°, 30° and 45°.

- Release the shoe lever (11).
- Slide the shoe (9) toward the saw blade.
- Tilt the shoe and set the desired bevel angle using the scale.
- Tighten the shoe lever.

ENGLISH

Setting the pendulum stroke (fig. A)

The adjustable pendulum stroke guarantees a perfect cutting stroke for different materials.

- Slide the selector (10) to the desired position referring to the table below. The selector can be manipulated during operation.

Pos.	Wood	Metal	Plastics
3	Fast cuts	-	PVC
2	Thick workpieces	-	Fibreglass Acrylic
1	Plywood Chipboard	Aluminium Non-ferrous	-
0	Thin workpieces Fine cuts	Sheet metal	-

Setting the sawdust blower (fig. A)

The sawdust blower conducts an adjustable stream of air to the saw blade to keep the workpiece clear of sawdust during operation.

- Set the sawdust blower using the lever (4).
 - Low For working with metals, when using coolants and lubricants and for use with dust extraction.
 - Intermediate For working with wood and similar materials in low speed.
 - High For working with wood and similar materials in high speed.

Mounting the plastic anti-scratch shoe cover (fig. D)

The anti-scratch shoe cover (12) reduces damage to the surface of (sensitive) workpieces.

- Click the cover onto the shoe as shown.

Mounting and removing the anti-splinter shoe insert (fig. E1 & E2)

The anti-splinter shoe insert (13) which fits close to the saw blade reduces splintering of the workpiece. The insert can be mounted both into the shoe and the shoe cover.

- Hold the insert (13) in the orientation as shown.
- To mount the insert into the shoe (9):
 - Slide the edges (14) into the grooves (15).
 - Slide the insert back into position against the shoe.
- To mount the insert into the cover (12):
 - Slide the edges (14) behind the ribs (16).
 - Push the front end of the insert towards the cover. The insert snaps into place.

- To remove the anti-splinter shoe insert do the above process in reverse order.

Dust extraction (fig. F)

The dust extraction adaptor (17) in combination with the dust extraction shroud (18) helps extracting the dust from the workpiece surface, when connected to a suitable dust extraction system.

- Place the dust extraction shroud (18) onto the finger guard (6) until it clicks in place.
- Fit the dust extraction adaptor (17) to the tool as shown.
- Connect the hose of a suitable dust extraction system to the adaptor.



When appropriate, connect a dust extraction system designed in compliance with the applicable directives regarding dust emission.



Do not use a dust extraction system without proper spark protection when sawing metal.

Instructions for use



- Always observe the safety instructions and applicable regulations.
- Make sure your workpiece is well secured. Remove nails, screws and other fasteners that may damage the blade.
- Check that there is sufficient space for the blade underneath the workpiece. Do not cut materials that exceed the maximum cutting depth of the blade.
- Use sharp saw blades only. Damaged or bent saw blades must be removed immediately.
- Do not use the tool for sawing pipes or tubes.
- Never run your tool without a saw blade.
- For optimal results, move the tool smoothly and constantly over the workpiece. Do not exert lateral pressure on the saw blade. Keep the shoe flat on the workpiece and lead the cord away in line with the tool. When sawing curves, circles or other round shapes, push the tool gently forward.

- Wait until the tool has come to a standstill before removing the saw blade from the workpiece.
After sawing the blade may be very hot. Do not touch.

Switching on and off (fig. A)

DW331K

- To run the tool, press the on/off switch (1).
- For continuous operation, press and hold down the switch (1), press the lock-on button (2) and release the switch.
- To stop the tool, release the switch.
- To stop the tool in continuous operation, press the switch briefly and release it. Always switch off the tool when work is finished and before unplugging.

DW333K

- Switching on: slide the on/off switch (1) to the front.
- Switching off: slide the on/off switch to the rear. Always switch off the tool when work is finished and before unplugging.

Setting the electronic sawing speed (fig. G1 & G2)

DW331K (fig. G1)

The sawing speed varies with the pressure exerted on the on/off switch (1).

- To preset the sawing speed, turn the control dial (3) to the desired level. The higher the rate, the higher the sawing speed. The required setting depends on the thickness and kind of material.
- Use high speeds for sawing soft materials such as wood. Use low speeds for sawing metal.

DW333K (fig. G2)

The speed control dial (3) can be used for advance setting of the required range of speed.

- Turn the electronic speed control dial to the required level. The required setting depends on the thickness and kind of material.
- Use high speeds for sawing soft materials such as wood. Use low speeds for sawing metal.



After using the tool for an extended period on low speed settings, run it for approx. 3 minutes on maximum no-load speed.

Sawing in wood

- If necessary, draw a cutting line.
- Switch the tool on.
- Hold the tool against the workpiece and follow the line.
- For sawing parallel to the edge of your workpiece, install the parallel fence and guide your jigsaw along the workpiece as shown in figure H.

Sawing in wood using a pilot hole

- If necessary, draw a cutting line.
- Drill a hole (ø min. 12 mm) and introduce the saw blade.
- Switch the tool on.
- Follow the line.
- For cutting perfectly round shapes, install the trammel bar and set it to the required radius (fig. I).

Sawing up to a projecting edge (fig. J)

- Using a conventional blade, cut up to the projected edge.
- Finish off the cut using a flush cutting blade.



Dust extraction (fig. F)

- When the tool is used indoor for extended periods of time, use a suitable dust extractor designed in compliance with the applicable Directives regarding dust emission.

Sawing in metal

- Mount an appropriate saw blade.
- Proceed as described above.



Use a cooling lubricant (cutting oil) to prevent overheating of the saw blade or the workpiece.

Optional accessories

Consult your dealer for further information on the appropriate accessories.

These include:

- DE3241 Parallel guide
- DE3242 Trammel bar

ENGLISH

The following replacement blades are available:

- DT2048 Fine toothed cutting blade
- DT2075 Coarse toothed cutting blade
- DT2160 Metal cutting blade
- DT2074 Flush cutting blade*

* Not available in all countries.

Maintenance

Your DeWALT power tool has been designed to operate over a long period of time with a minimum of maintenance. Continuous satisfactory operation depends upon proper tool care and regular cleaning.



Lubricating the guide roller (fig. B)

- Apply a drop of oil to the guide roller (8) at regular intervals to prevent jamming.



Cleaning

Keep the ventilation slots clear and regularly clean the housing with a soft cloth.



Unwanted tools and the environment

Take your tool to an authorized DeWALT repair agent where it will be disposed of in an environmentally safe way.

GUARANTEE

• 30 DAY NO RISK SATISFACTION GUARANTEE •

If you are not completely satisfied with the performance of your DeWALT tool, simply return it within 30 days, complete as purchased, to the point of purchase, for a full refund or exchange. Proof of purchase must be produced.

• ONE YEAR FREE SERVICE CONTRACT •

If you need maintenance or service for your DeWALT tool, in the 12 months following purchase, it will be undertaken free of charge at an authorized DeWALT repair agent. Proof of purchase must be produced. Includes labour and spare parts for Power Tools. Excludes accessories.

• ONE YEAR FULL WARRANTY •

If your DeWALT product becomes defective due to faulty materials or workmanship within 12 months from the date of purchase, we guarantee to replace all defective parts free of charge or, at our discretion, replace the unit free of charge provided that:

- The product has not been misused.
 - Repairs have not been attempted by unauthorized persons.
 - Proof of purchase date is produced.
- This guarantee is offered as an extra benefit and is additional to consumers statutory rights.

For the location of your nearest authorized DeWALT repair agent, please use the appropriate telephone number on the back of this manual. Alternatively, a list of authorized DeWALT repair agents and full details on our after-sales service are available on the Internet at www.2helpU.com